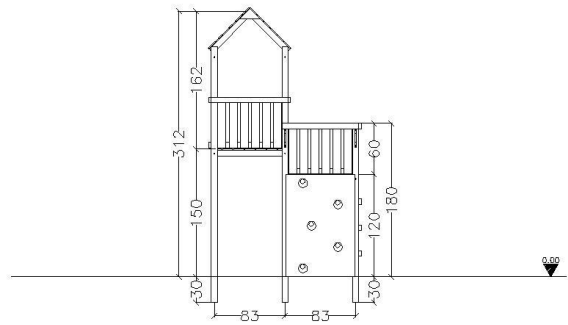
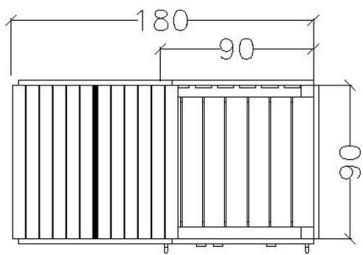
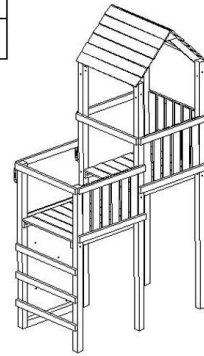
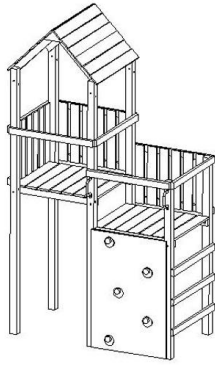


actiOn
CE

ARUNDEL
MULTI TOWER

JE 2078
0 - 0912 - 8



Technical Information

Number of people needed for assembly: 2, to include a good handyman.

Guide Time for assembly: 6-8 hours

Tools required: 13mm & 17mm socket or box spanner

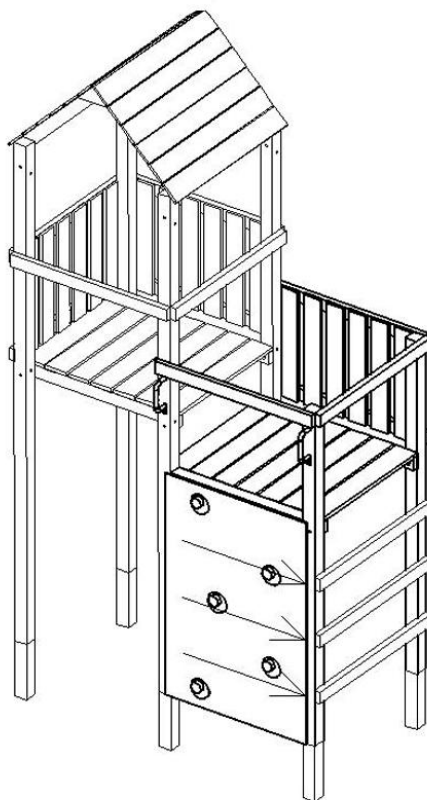
Screwdriver (Phillips or #2 Posidrive, or better still, a
cordless electric drill

Stepladder, Tape Measure, Spirit Level

Sandpaper

Spade

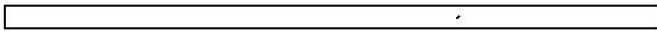
Requires about 0.04cu meters or 5 cubic feet of Post-crete / concrete (or similar)



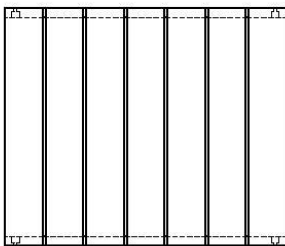
Assembly should be done on the day the shipment arrives. If this is not possible the boxes should be stored in a cool and slightly humid environment. Slight cracks may appear in the wooden posts at any time after delivery, this is due to the natural working of the wood and is normal. In damp weather weather the cracks partly disappear.

N.B. cracking will not affect the tower's structural stability. Surfaces of the wood have been planed but you may find small splinters around drill holes which can be sanded away.

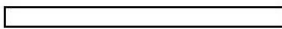
A) 2X 70x70/210cm



B) 1X Floor



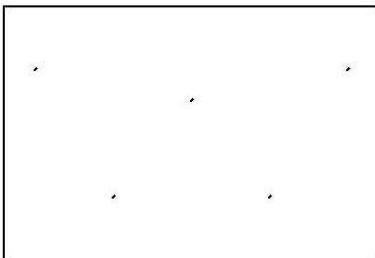
C) 4X 30x65/89,5cm



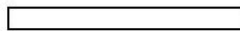
D) 6X 16x95/59,5cm



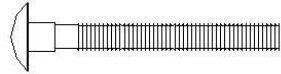
E) 1X 120cm green



F) 2X 70x70/76cm



This product meets and exceeds all British and European Safety of Toys standard BS 5665/EN71. We strongly recommend that all fixings (nuts & bolts) are checked at least annually (preferably at the beginning of Spring) for tightness, and all ropes and other fasteners checked for decay and general condition. If in any doubt replace items at once. Ropes are generally subject to wear and tear and should be replaced when after inspection you believe they have reached the end of their useful life. We suggest you keep these instructions for future referral.



1) 2X 10x95mm bolts



2) 2X M10 washers



3) 2X M10 nuts



4) 2X 8x70mm screws bolts



5) 2X M8 washers



6) 16X 5x60mm screws



7) 34X 4x40mm screws



8) 4X 5x100mm screws



9) 5X 10x30mm grip bolts



10) 5X M10 grip nuts



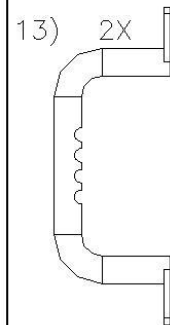
11) 5X grip



12) 10X M6 washers rubber

1X Handel

13) 2X



14) 4X 6x40mm screws bolts

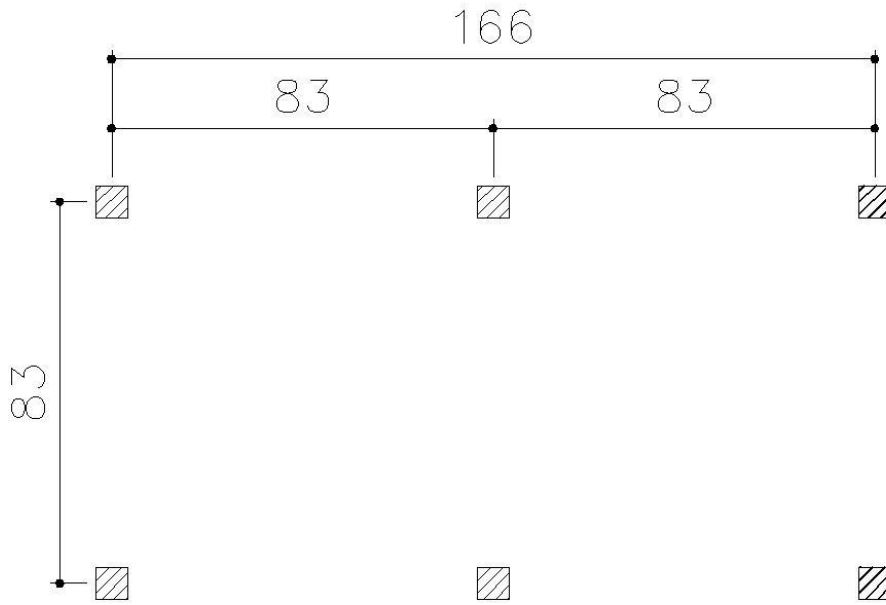
15) 4X handels red bridges

16) 4X M6 washers

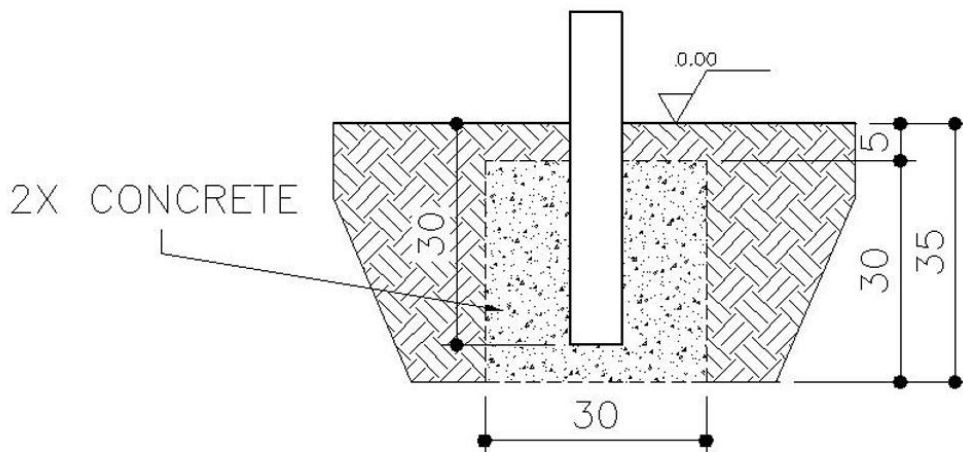


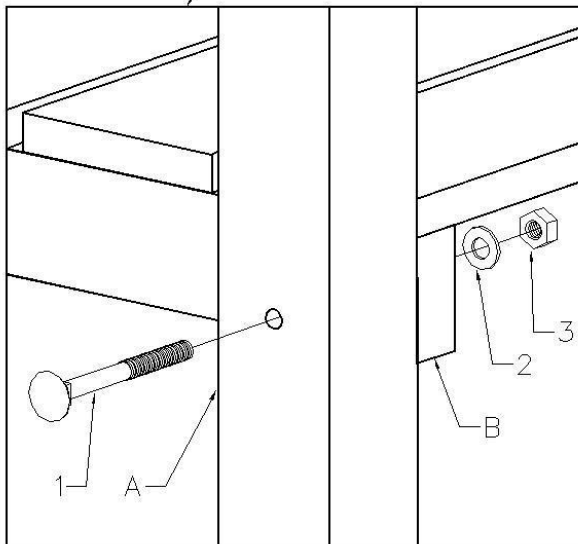
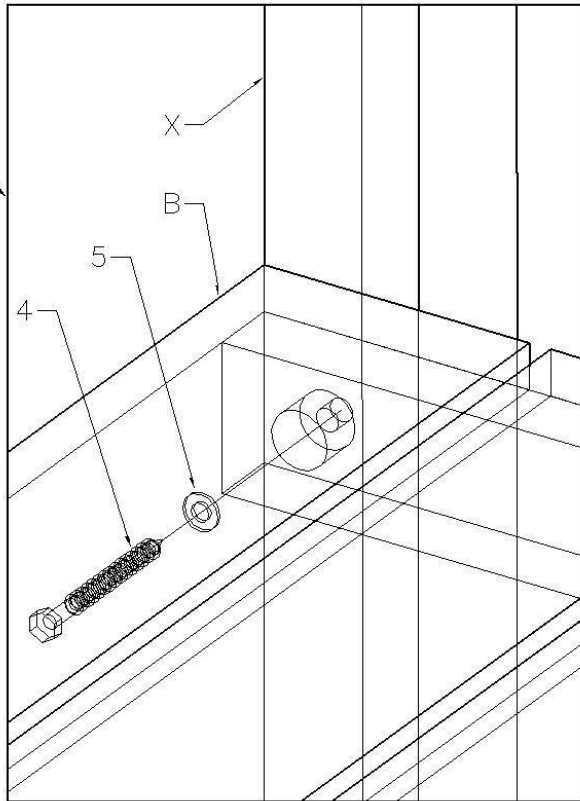
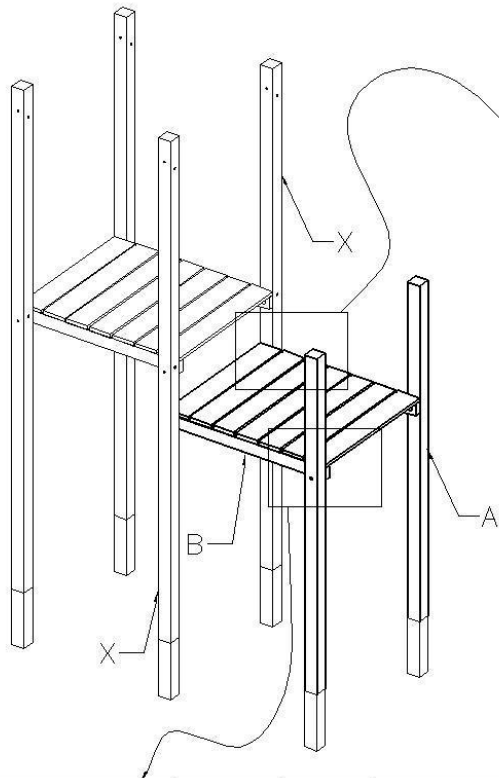
17) 1X

We strongly suggest that you pre-drill all holes before fixing screws. This will prevent the screw splitting the wood.



Attention: Allow a minimum of 2 meters space around the playcentre and ensure that the area is free from other obstacles such as trees and branches, garden lights and other play equipment.



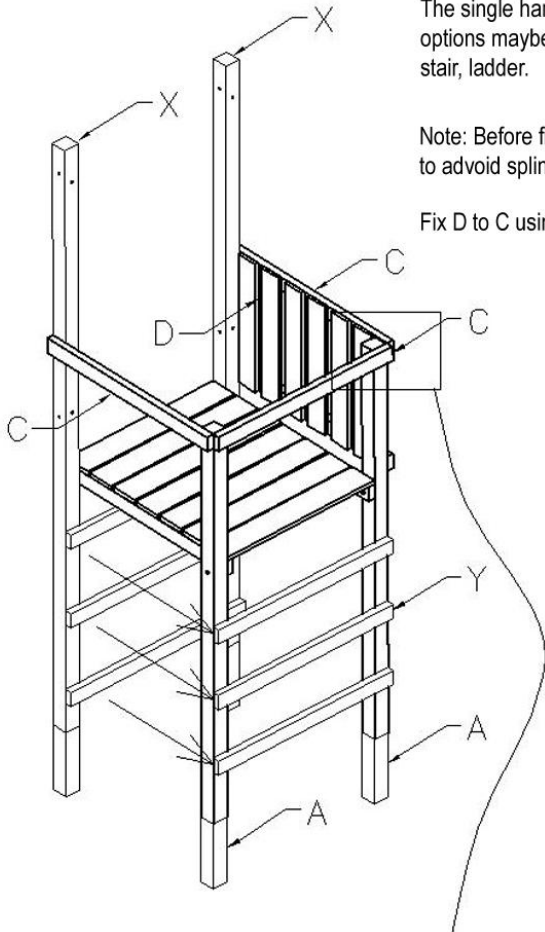


Fix B to A using 1, 2 and 3
Fix B to X using 4 and 5

COMPONENTS AND HARDWARE:

2X A) 7x7/210cm
1X B) Floor

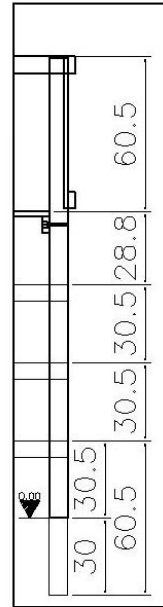
2X 1) 10x95mm
2X 2) M10
2X 3) M10
2X 4) 8x70mm
2X 5) M8



The single handrails on the tower indicate where the other options maybe added to the tower for example, slide, stair, ladder.

Note: Before fixing screws, first drill using the bit provided to avoid splintering the wood.

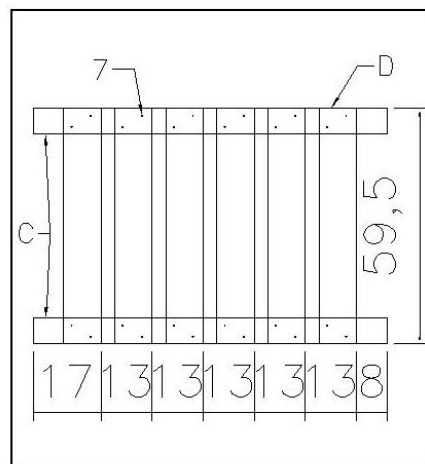
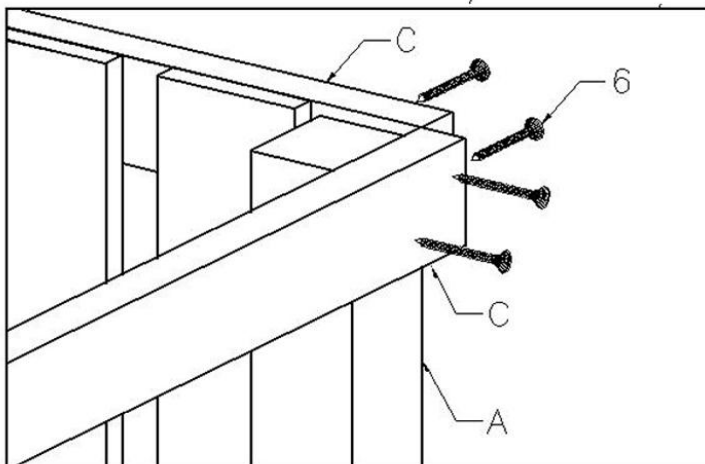
Fix D to C using 7. Fix C to A and X using 6.

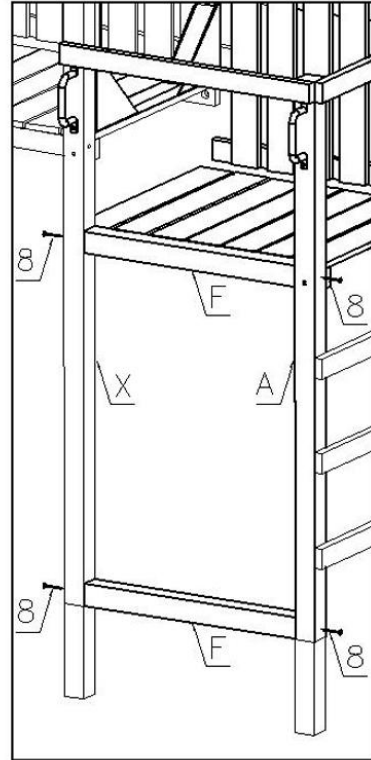
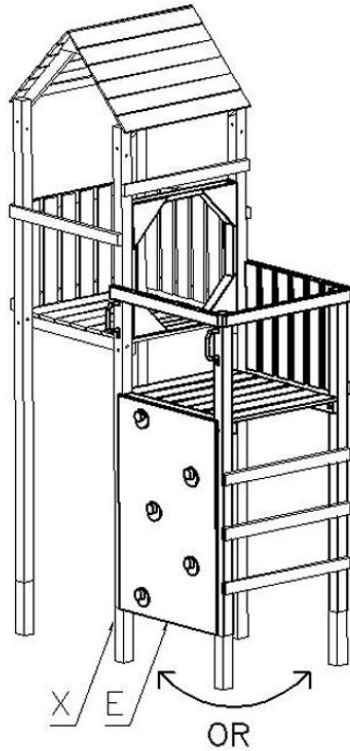


COMPONENTS AND HARDWARE:

- 4X C) 30x65/89.5cm
- 6X D) 16x95/59,5cm

- 16X 6) 5x60mm
- 24X 7) 4x40mm





Note: Before fixing screws, first drill using the bit provided to avoid splintering the wood.

Fix F to A and X using 8. Fix 11 to E using 9 and 10.

Fix E to A, F and X using 7 and 12. Fix 13 to A and X using 14, 15 and 16.

